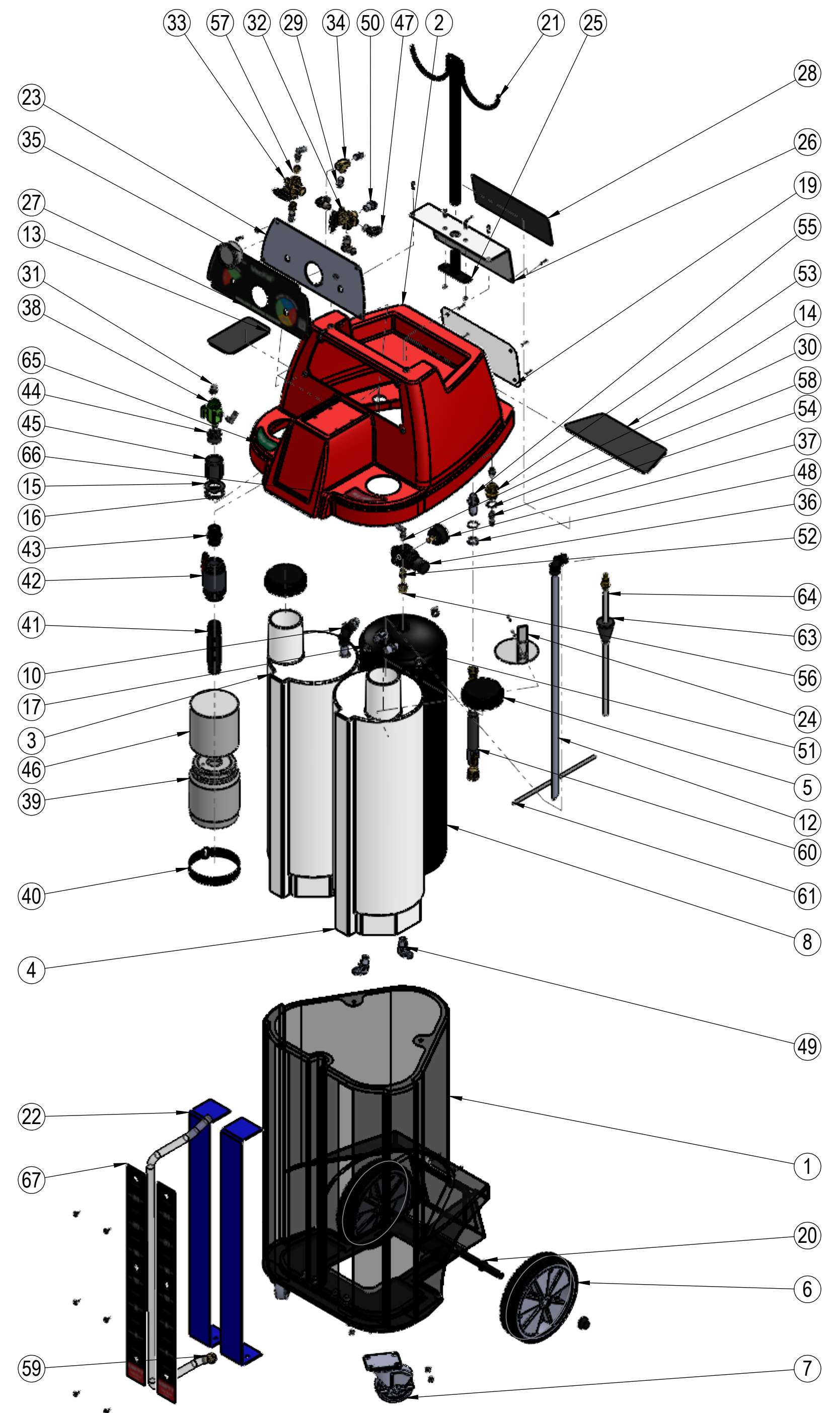


ITEM NO.	PART NUMBER	DESCRIPTION	QTY.	ITEM NO.	PART NUMBER	DESCRIPTION	QTY.
1	941283	C-VAC CONSOLE PP226	1	56	941446	REDUCER-1/2MPT X 1/4FPT 209P-8-4	1
2	941431	TOP-VACFILL3 RED	1	57	941447	REDUCER-3,8MPT X 1,4FPT 209P64	2
3	941432	TANK-VACFILL3 NEW LH NATURAL	1	58	R941367	3/4 INTERNAL TOOTH LOCK WASHER	2
4	941433	TANK-VACFILL3 NEW RH NATURAL	1	59	941429	INTERNAL HOSE SET-VACFILL3	1
5	942113	TANK CAP	2	60	941467	SERVICE HOSE (BLACK) - CVAC UPDATE	1
6	941300	WHEEL 10 x 2-5/8 x 2-3/16 C-VAC	2	61	R940557	TUBE 5/16 POLY PER FOOT	1
7	R942118	CASTER 4 W/BRAKE ATFX	2	62	941291	MEDIUM HOSE CLAMP PLIERS	1
8	941434	TANK-USED FLUID STEEL VACFILL3	1	63	941297	RUBBER CONE ADAPTER C-VAC	1
9	941299	PUSH NUT 5/8 BLACK	2	64	40200774	HOSE ASSEMBLY FOR RUBBER CONE SLIDE ADAPTER	1
10	941226	ELBOW PLASTIC FEM 1/2 NPT x 5/8 TU	2	65	940988	LABEL GREEN FLUID TANK - CVAC	1
11	941240	GROMMET .56ID .18 x .81 GROOVE	2	66	940989	LABEL RED FLUID TANK - CVAC	1
12	941307	ALUM TUBE 5/8 x 29.5 MITER 1 END	2	67	R941306	MEASURING STRIP STICKER C-VAC	2
13	941439	VINYL MAT-SMALL FRONT CAVITY	1				
14	941440	VINYL MAT-LARGE REAR CAVITY	1				
15	941990BS	EPDM WASHER 2.07"ODX1.187"X0.134"THICK	1				
16	941991BS	EPDM WASHER 2.00"ODX1.437"IDX0.187"THICK	1				
17	R942142	HOSE CLAMP 3/8 SCREW TYPE	2				
18	P940850	PLATE - SERIAL NUMBER - ATF3	1				
19	P941317	LOWER SERVICE PANEL-BLACK-CVAC	1				
20	941318	CASTER BRKT-BLACK-CVAC	1				
21	P941321	SHEPHERD HOOK WELDMENT-BLK-CVAC	1				
22	P941370	BRACKET-BLK CVAC CONSOLE REIN	2				
23	P941436	CONTROL PANEL-BLACK VACFILL3	1				
24	P941437	BOTTLE HOLD PLATE-BLK VACFILL3	1				
25	P941452	VACFILL3PLUS SHEPHERD HOOK MOUNT	1				
26	P941454	UPPER SERV PANEL BLK VF3PLUS	1				
27	941421	OVERLAY-CONTROL PANEL VACFILL3	1				
28	40200819	VACFILL EQUIPMENT LIST OVERLAY	1				
29	941332	CONN 1/4NPT 5/16PUSH W68PL-5-4	4				
30	945016	5/16 TUBE X 1/4 NPT ELBOW W169PLPE-5-4	2				
31	40200356	5/16 TUBE X 1/8 NPT ELBOW W169PLP3 5-2	2				
32	941277	4WAY VALVE ANDERSON B 200CN-12	1				
33	941430	BALL VALVE-PANEL MOUNT 2WAY	1				
34	941324	TEE 1/4 FEMALE PIPE	1				
35	941438	2.5 PANEL MNT GAUGE 30-0-160	1				
36	941469	REGULATOR-VACFILL 05R113AD	1				
37	941470	GAUGE 0-200PSI MINIATURE	1				
38	40200355	GENERATOR-VACUUM	1				
39	941424	BOTTLE-PLASTIC OVRFLO	1				
40	941425	STRAP-VELCRO BOTTLE HOLDER	1				
41	941426	PIPE NIPPLE-1 X 6 LONG	1				
42	941427	BALL VALVE-1FPT PVC	1				
43	941428	PIPE NIPPLE-1 X SHORT	1				
44	40200396	REDUCER BUSHING PVC 1 X 1/4	1				
45	40200397	1" NPT FEMALE PVC PIPE FITTING	1				
46	40201007	FOAM 5" DIA X 5" THICK 1533 FOAM	1				
47	940114	90 JIC ELBOW	3				
48	940113	NUT/BULKHEAD/8WLN/	1				
49	941109	ELBOW 1/2 NPT X 1/2 JIC	3				
50	940124	MALE CONNECTOR 3/8NPT 1/2JIC	1				
51	940125	MALE CONNECTOR 1/2 NPT 1/2JIC	2				
52	941328	NIPPLE 1,4NPT 1/4NPT 216P-4	1				
53	941334	BULKHEAD CON 1/4FPT 207ACBH-4	1				
54	941335	AIR NIPPLE 1/4NPT H2C	1				
55	941337	BULKHEAD FITTING 1/2JIC 5325X8	1				



# VACFILL3 PART BREAKDOWN