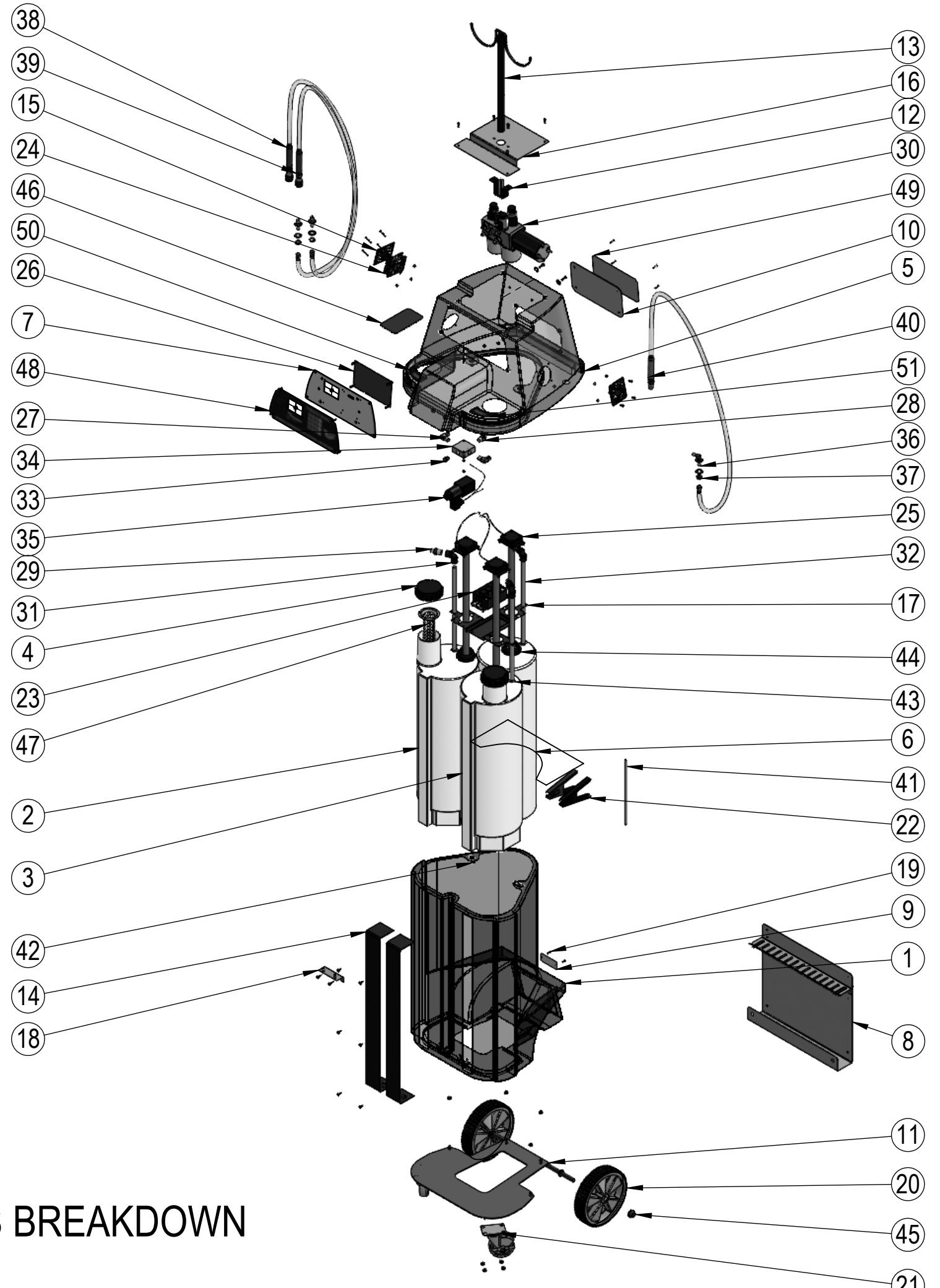


ITEM NO.	PART NUMBER	DESCRIPTION	QTY.
1	941283	C-VAC CONSOLE PP226	1
2	941432	TANK-VACFILL3 NEW LH NATURAL	1
3	941433	TANK-VACFILL3 NEW RH NATURAL	1
4	942113	TANK CAP	2
5	942301	TOP-RED PLASTIC TSD650	1
6	942303	WASTE FLUID TANK-WHITE TSD650	1
7	H942000	CONTROL PANEL-BLACK TSD650	1
8	J941220	HOSE RACK WLDMENT-BLK	1
9	P940850	PLATE - SERIAL NUMBER - ATF3	1
10	P941317	LOWER SERVICE PANEL-BLACK-CVAC	1
11	941318	CASTER BRKT-BLACK-CVAC	1
12	P941320	ASSEMBLY SHEPHERD HOOK BRKT CVAC	1
13	P941321	SHEPHERD HOOK WELDMENT-BLK-CVAC	1
14	P941370	BRACKET-BLK CVAC CONSOLE REIN	2
15	P941616	COOLING FAN COVER BLACK	2
16	P942008	PANEL-OPEN TOP SHEPHERD SUPPOR	1
17	P942302	SENSOR BRACKET TSD650 BLACK	1
18	P942305	BRACKET-TOP ANCHOR TSD650	1
19	R942241	RIVET POP 3/16 - 1/2 ALUMINUM BLACK	2
20	941300	WHEEL 10 x 2-5/8 x 2-3/16 C-VAC	2
21	R942118	CASTER 4 W/BRAKE ATFX	2
22	940307	6GA BATTERY CABLES 16 FT	1
23	941617W	MOTOR CONTROL BOX	1
24	941655W	COOLING FAN ONLY TSD/PROMAX	1
25	942004	SENSOR-TSD650	3
26	40200740	ELECTRONIC BOARD - TRANS MACHINES	1
27	940114	90 JIC ELBOW	2
28	940124	MALE CONNECTOR 3/8NPT 1/2JIC	1
29	940125	MALE CONNECTOR 1/2 NPT 1/2JIC	3
30	940468	MANIFOLD W/R PUMP NO PRO PORT	1
31	941226	ELBOW PLASTIC FEM 1/2NPTX5/8TU	3
32	941307	ALUM TUBE 5/8 x 29.5 MITER 1 END	3
33	941451	PLUG-3,8MPT	1
34	942300B	MANIFOLD BLOCK-HI FLOW VALVE	1
35	942300S	SOLENOID-HI FLOW VALVE TSD650	1
36	R940241	BULKHEAD 90 EL 3/8 x 3/8 JIC ZIN	3
37	R940242	BULKHEAD NUT 3/8/ZINDC	3
38	940785 (650)	SERVICE HOSE (BLACK) TSD 650	1
39	940786 (650)	SERVICE HOSE (RED) TSD 650	1
40	941728P (650)	SERVICE HOSE- GREY POLYURETHANE-TSD SERIES	1
41	R940557	TUBE 5/16 POLY PER FOOT	1
42	501046	NUT 5/16-18, PAL PUSH	2
43	941240	GROMMET .56ID .18 x .81 GROOVE	3
44	941241	GROMMET TANK 1-1/2 NO91	3
45	941299	PUSH NUT 5/8 BLACK	2
46	941439	VINYL MAT-SMALL FRONT CAVITY	1
47	R942129	SCREEN BASKET AH6INBSKT	2
48	942001	OVERLAY-CONTROL PANEL TSD650	1
49	942002	OVERLAY-BACK PANEL TSD650	1
50	942011	LABEL-TANK 1 TSD650	1
51	942012	LABEL-TANK 2 TSD650	1



TSD650LCD PARTS BREAKDOWN