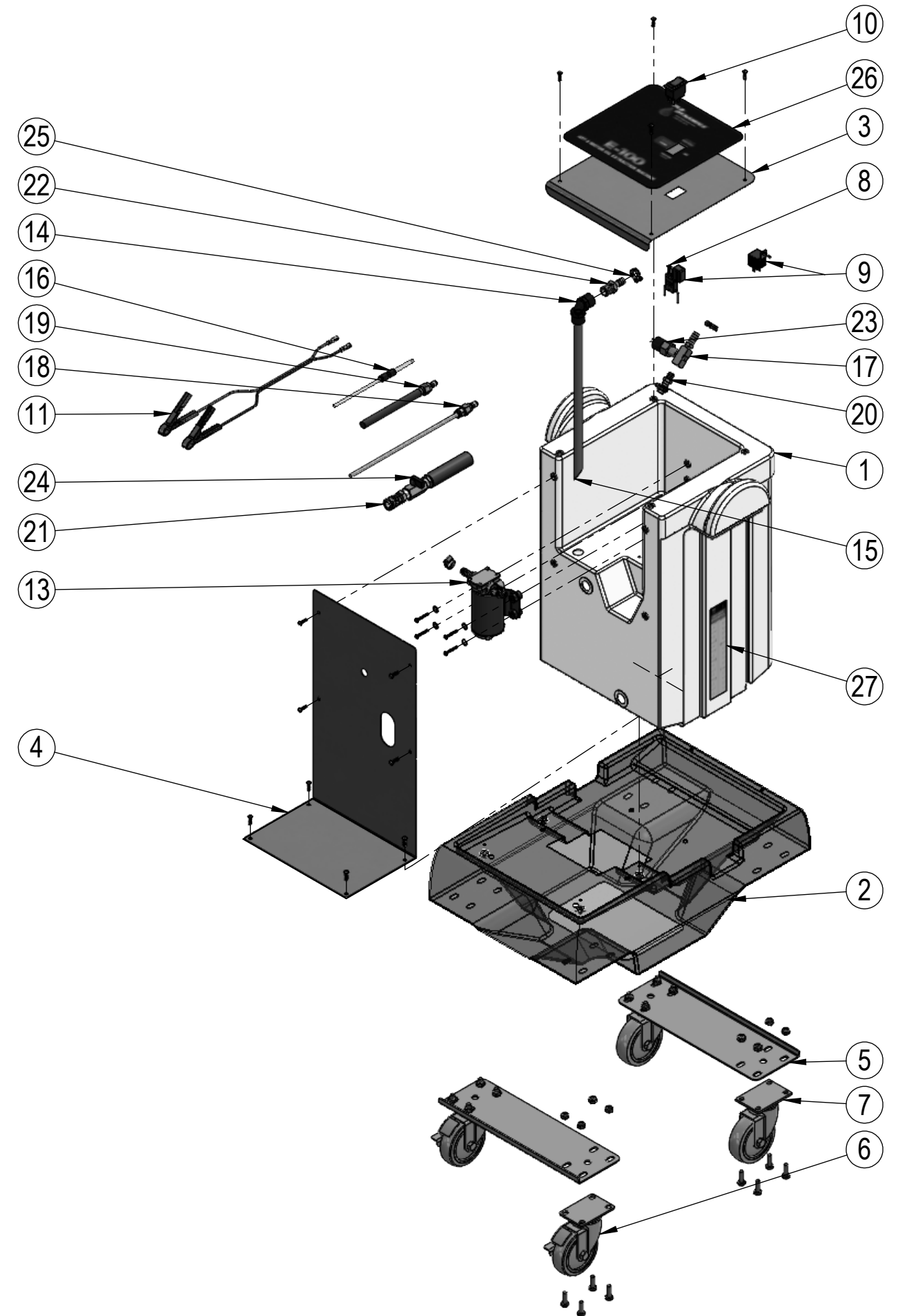


| ITEM NO. | PART NUMBER | DESCRIPTION | QTY. |
|----------|-------------|---|------|
| 1 | 944026 | WASTE FLUID TANK-CLEAR-EVACUMAX | 1 |
| 2 | R940750 | ATF/PSX CHASSIS-BLK | 1 |
| 3 | 40300349 | PANEL-OIL DRAIN CONTROL | 1 |
| 4 | 40300350 | PANEL-FRONT OIL DRAIN | 1 |
| 5 | P940760 | CASTER SUP BRKT-ECOAT ATF3-W | 2 |
| 6 | R942118 | CASTER 4 W/BRAKE ATFX | 2 |
| 7 | R942137 | CASTER 4 SWIVEL ATFX | 2 |
| 8 | 40200728 | BLADE FUSE - 20 AMP | 1 |
| 9 | 40200991 | WIRE HARNESS - E100 | 1 |
| 10 | 40200934 | ROCKER SWITCH ON-OFF-ON BLACK | 1 |
| 11 | 40300503 | BATTERY CABLE ASSM 10GA 20FT | 1 |
| 12 | R940798 | ELECTRICAL CONN 16-14 MALE | 2 |
| 13 | 944022 | PUMP-SMALL GEAR PUPPY DFX2500 | 1 |
| 14 | 941226 | ELBOW PLASTIC FEM 1/2NPTX5/8TU | 1 |
| 15 | 941262 | TUBE ALUM 5/8 X 15.5 1 MITER | 1 |
| 16 | 941708 | ADAPTER-DIPSTICK REDUCER HOSE | 1 |
| 17 | 947011 | TEE-1,4MPT X 1,4FPT X 1,4FPT | 1 |
| 18 | 40100097 | WAND ADAPTER, EXTRACT/FILL 5/16"OD X 0.40"TH | 1 |
| 19 | 40100098 | OPEN-END ADAPTER, E SERIES | 1 |
| 20 | 40200565 | HOSE BARB 1/2 - G TEC ADAPTERS | 2 |
| 21 | 40200734 | SIZE 1/4 SLEEVE LOCK SOCKET X 1/4 NPTF MALE COUPLER (6537K63) | 1 |
| 22 | 40201018 | HOSE, 1/2 ID X 1/2 NPT MALE BARBED FITTING | 1 |
| 23 | 40201024 | PRESSURE SWITCH 70 PSI | 1 |
| 24 | 40201036 | BLACK EXTRACTOR SERV HOSE | 1 |
| 25 | R942142 | HOSE CLAMP 3/8 SCREW TYPE | 5 |
| 26 | 40201010 | CONTROL PANEL OVERLAY E-100 | 1 |
| 27 | 40201030 | OVERLAY MEASURING STRIP E SERIES | 2 |



E-100 PARTS BREAKDOWN