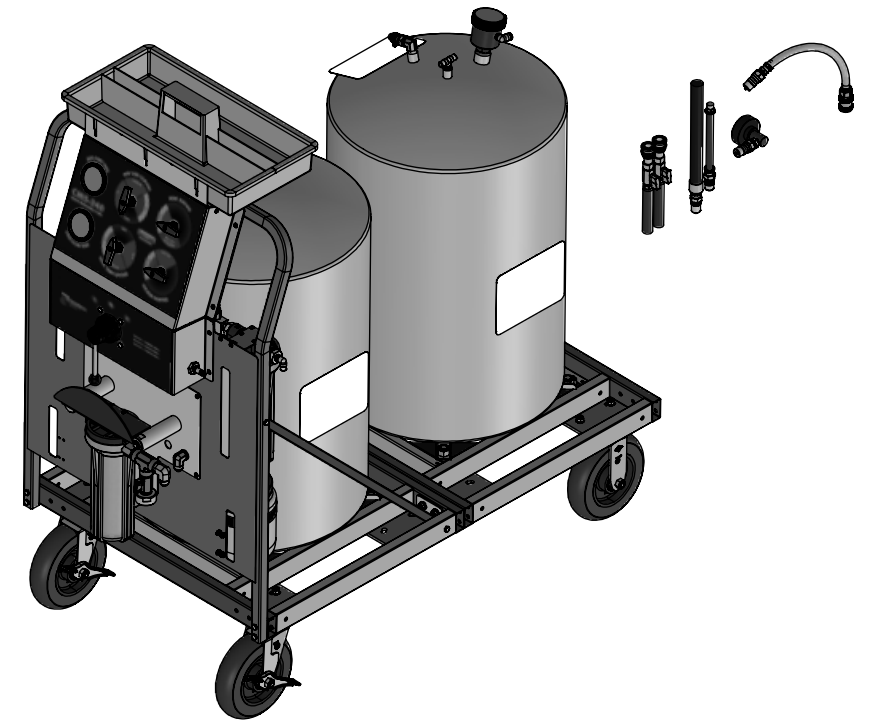
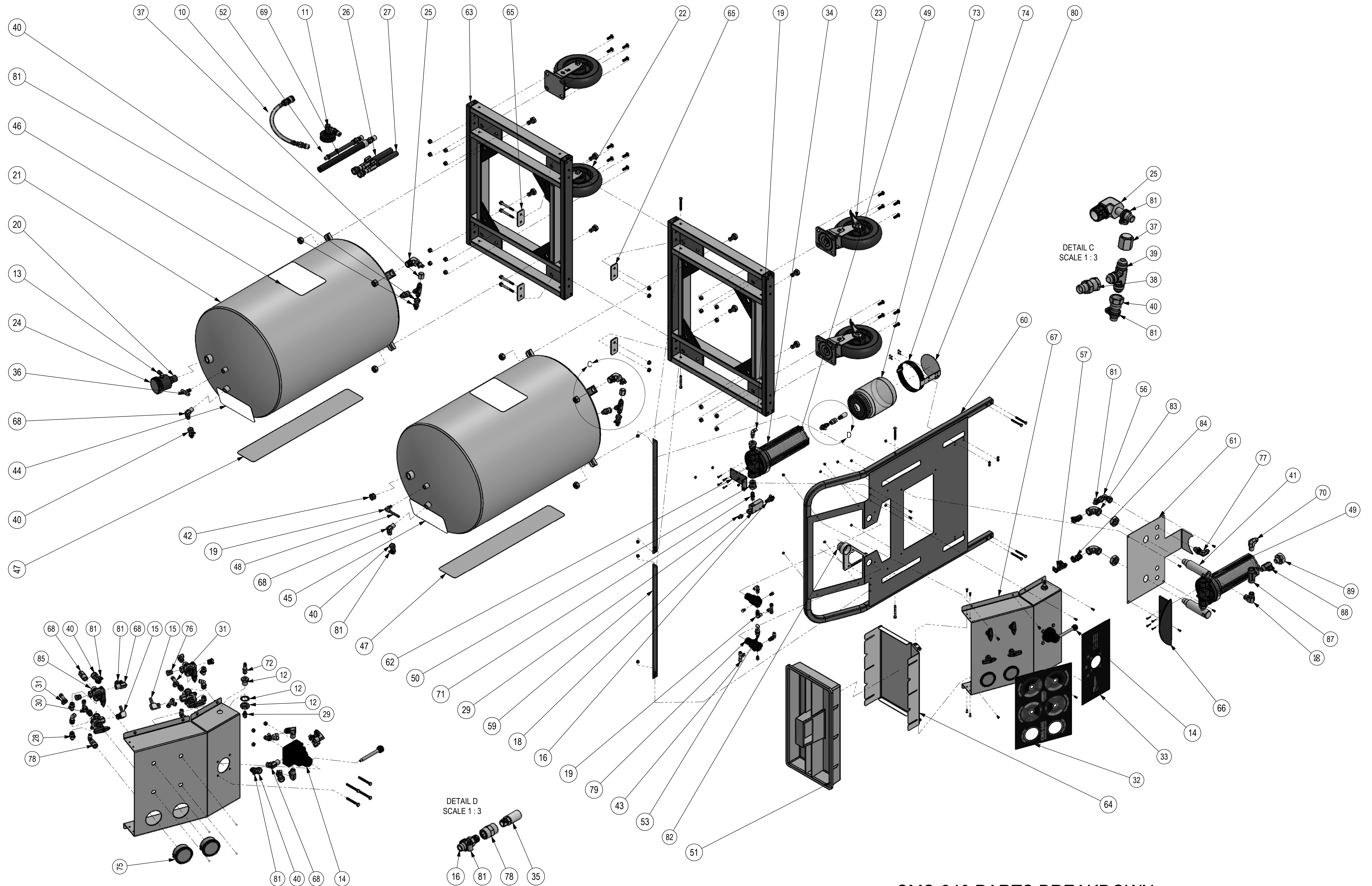


ITEM NO.	PART NUMBER	DESCRIPTION	QTY.	ITEM NO.	PART NUMBER	DESCRIPTION	QTY.	ITEM NO.	PART NUMBER	DESCRIPTION	QTY.
10	40100163	ADAPTER-VOLVO MACK COOLANT HOSE	1	47	40201178	TANK MEASURING STRIP - CMS-240	2	84	941798	FITTING-1/2 MPT X 1/2 BARB, STRAIGHT	2
11	40100164	ADAPTER-HD PETERBILT KENWORTH COOLANT	1	48	40201179	BLACK POLY TUBING 5/16 OD	1	85	941277	4WAY VALVE ANDERSON B 200CN-12	4
12	40200339	BULKHEAD FITTING 1/4 BRASS	1	49	40201180	FILTER ELEMENT - CMS-40	2	86	40201598	FITTING-1/2 NPTF MALE X 1/2 NPTF MALE ELBOW 90	1
13	40200356	5/16 TUBE X 1/8 NPT ELBOW W169PLP3 5-2	1	50	40201182	BUSHING ADAPTER, 3/4" MNPT x 1/4" FNPT	2	87	40201356	FITTING-.5 FPT TEE	1
14	40200463	REVERSER - G TEC 7AR	1	51	40201186	TOOL TRAY	1	88	941797	BALL VALVE-1/2MPT X 1/2FPT	1
15	40200534	ELBOW 6-6 - G TEC	2	52	40201189	ADAPTER-INTERNATIONAL FREIGHTLINER COOLANT	1	89	40201599	CAP-COOLANT SAMPLE	1
16	40200565	HOSE BARB 1/2 - G TEC ADAPTERS	2	53	40201192	PRESSURE RELIEF VALVE 1/8 NPT - 30 PSI	1				
17	40200577	3/8 ID BLACK HOSE	0.333	54	40201197	OPS MANUAL CMS-240	1				
18	40200875	VACUUM GENERATOR CV15H	1	55	40201198	JOB AID SHEET CMS-240	1				
19	40201025	MALE ELBOW 5/16" TUBE 1/4NPT	7	56	40201201	90 ELBOW - 1/2 MALE JIC x 1/2 FEM JIC SWIVEL	1				
20	40201040	NEW FLUID FUNNEL FITTING	1	57	40201627	BRASS TEE CONNECTOR-1/2 HOSE BARB	1				
21	40201054	STEEL TANK 40 GAL - COMM FLUSH	2	58	40201296	TUBING CLEAR BRAIDED PVC - 1/2 ID X 3/4 OD	1				
22	40201056	CASTER 8IN DIA NO BRAKE	2	59	40300361	GUSSET BAR	2				
23	40201057	CASTER 8IN DIA WITH BRAKE	2	60	40300370	PUSH CART HANDLE ASSEMBLY	1				
24	40201075	COOLANT TANK CAP W/ SEAL ONLY	1	61	40300373	CART FILTER PANEL	1				
25	40201099	ELBOW 90 DEG. 1/2 BARB HOSE ID X 3/4 NPT MALE	2	62	40300396	FILTER HOUSING MNT BRKT	1				
26	40201122	RED SERVICE HOSE	1	63	40300398	ASSEMBLY-COMMFLUSH CART MODULE	2				
27	40201123	BLACK SERVICE HOSE	1	64	40300410	ADAPTER TRAY BRACKET	1				
28	40201124	ELBOW, 5/16" TUBE OD x 3/8" NPT MALE	7	65	40300411	SMALL MODULAR CART BRKT	4				
29	40201127	STUD N2 - 5/16 TUBE X 1/4 NPT	2	66	40300422	HOSE RACK HD CMS	1				
30	40201128	STUD 5/16 TUBE 3/8NPT	2	67	40300423	FRONT COWL, HD CMS	1				
31	40201129	UNION TEE 5/16 TUBE	5	68	940114	90 JIC ELBOW	8				
32	40201132	OVERLAY UPPER CONTROL PANEL CMS-40	1	69	940144	HOSE,ATF2000,ADAPTER 4	1				
33	40201133	OVERLAY LOWER CONTROL PANEL CMS-240	1	70	941109	ELBOW 1/2 NPT X 1/2 JIC	1				
34	40201140	10" FILTER HOUSING CMS	1	71	941328	NIPPLE 1,4NPT 1/4NPT 216P-4	1				
35	40201147	HIGH-NOISE REDUCING MUFFLER	1	72	941335	AIR NIPPLE 1/4NPT H2C	1				
36	40201151	AIR INLINE TEE FOR 5/16" TUBE OD x 1/4 NPT MALE	1	73	941424	BOTTLE-PLASTIC OVRFLO	1				
37	40201156	CAP - CMS-40	2	74	941425	STRAP-VELCRO BOTTLE HOLDER	1				
38	40201157	TANK FITTING, 37° FLARE, TUBE TO NPT	2	75	941278	2.5 PANEL GAUGE AND U-CLAMP	2				
39	40201158	UNION TEE, 37 DEG FLARE	2	76	941451	PLUG-3,8MPT	3				
40	40201159	BRASS BARB FITTING SWIVEL	11	77	944009	BULKHEAD ELBOW W,NUT 1/2 JIC	1				
41	40201161	FILTER CHECK VALVE ASSEMBLY	1	78	945011	FITTING-1/4FPT X 1/4FPT STRAIT	3				
42	40201163	GALVANIZED STEEL, PLUG WITH HEX DRIVE, 3/4 NPT	1	79	947001	4 WAY REGULATOR-PSICOOOL	2				
43	40201166	INLINE TEE, 5/16" TUBE OD x 1/4" NPT MALE	1	80	P941437	BOTTLE HOLD PLATE-BLK VACFILL3	1				
44	40201175	NEW FLUID TANK ID LABEL - CMS-240	1	81	R942142	HOSE CLAMP 3/8 SCREW TYPE	22				
45	40201176	USED FLUID TANK ID LABEL - CMS-240	1	82	40300497	GUARD-REGULATOR ADJUSTMENT	1				
46	40201177	LABEL CMS-240 PRODUCT LOGO	2	83	40201355	FITTING-.5 FPT X .5 FPT 90 DEG ELBOW	2				



CMS-240 PARTS BREAKDOWN



CMS-240 PARTS BREAKDOWN